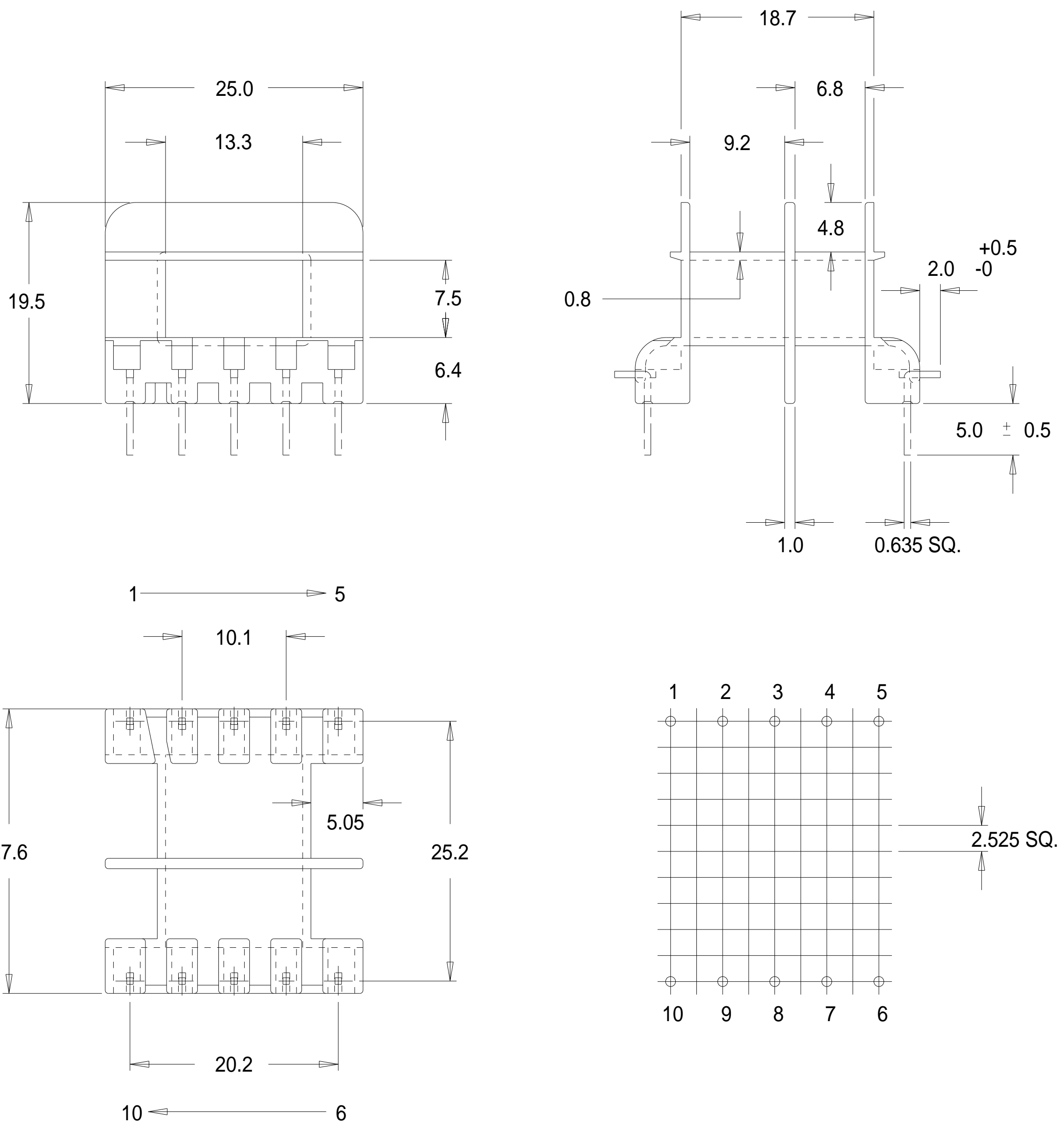


Part No. N38072  
 EI38 x 7.5 Low Profile Double Section  
 'N' Range Bobbin



Dimensions in millimetres.

